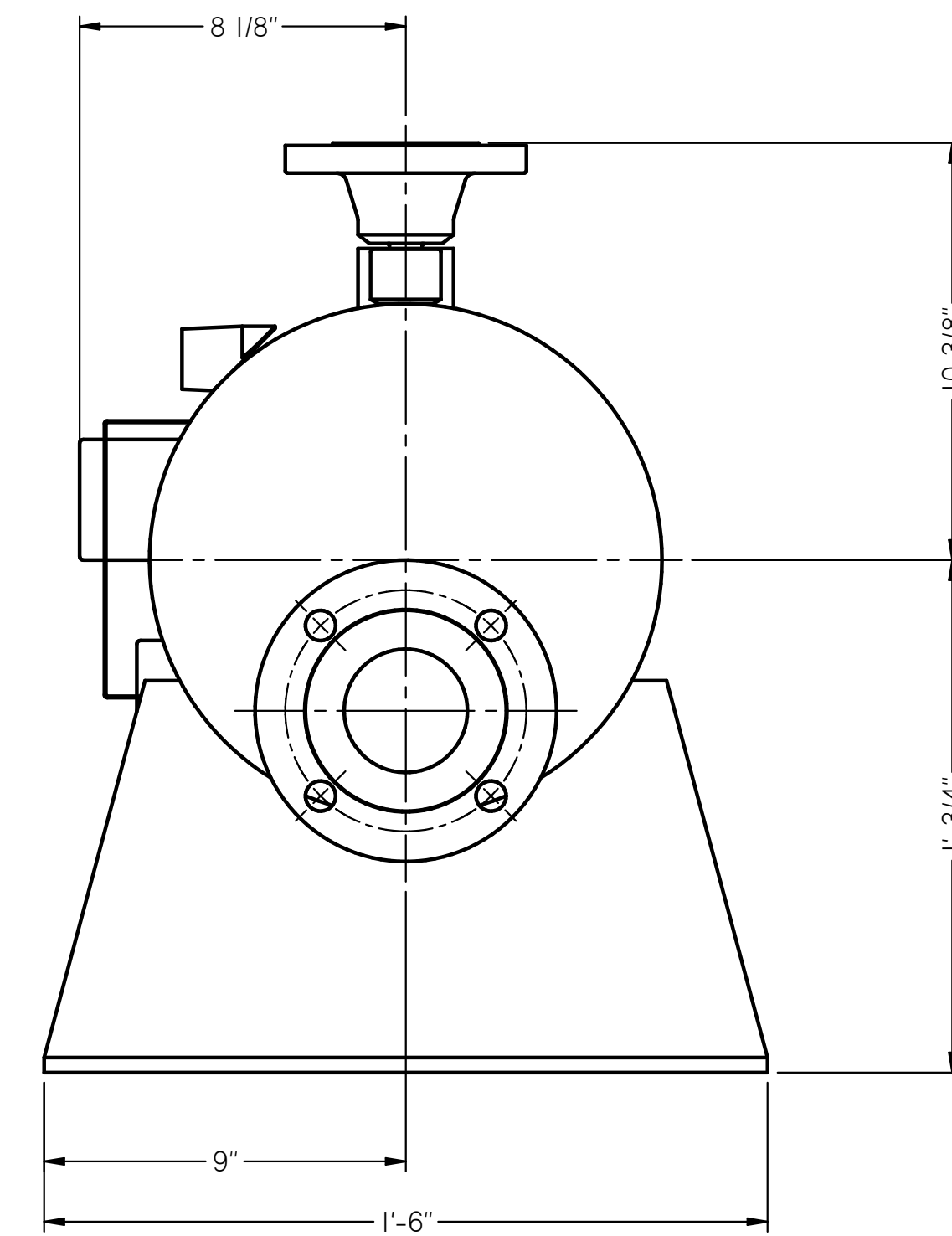
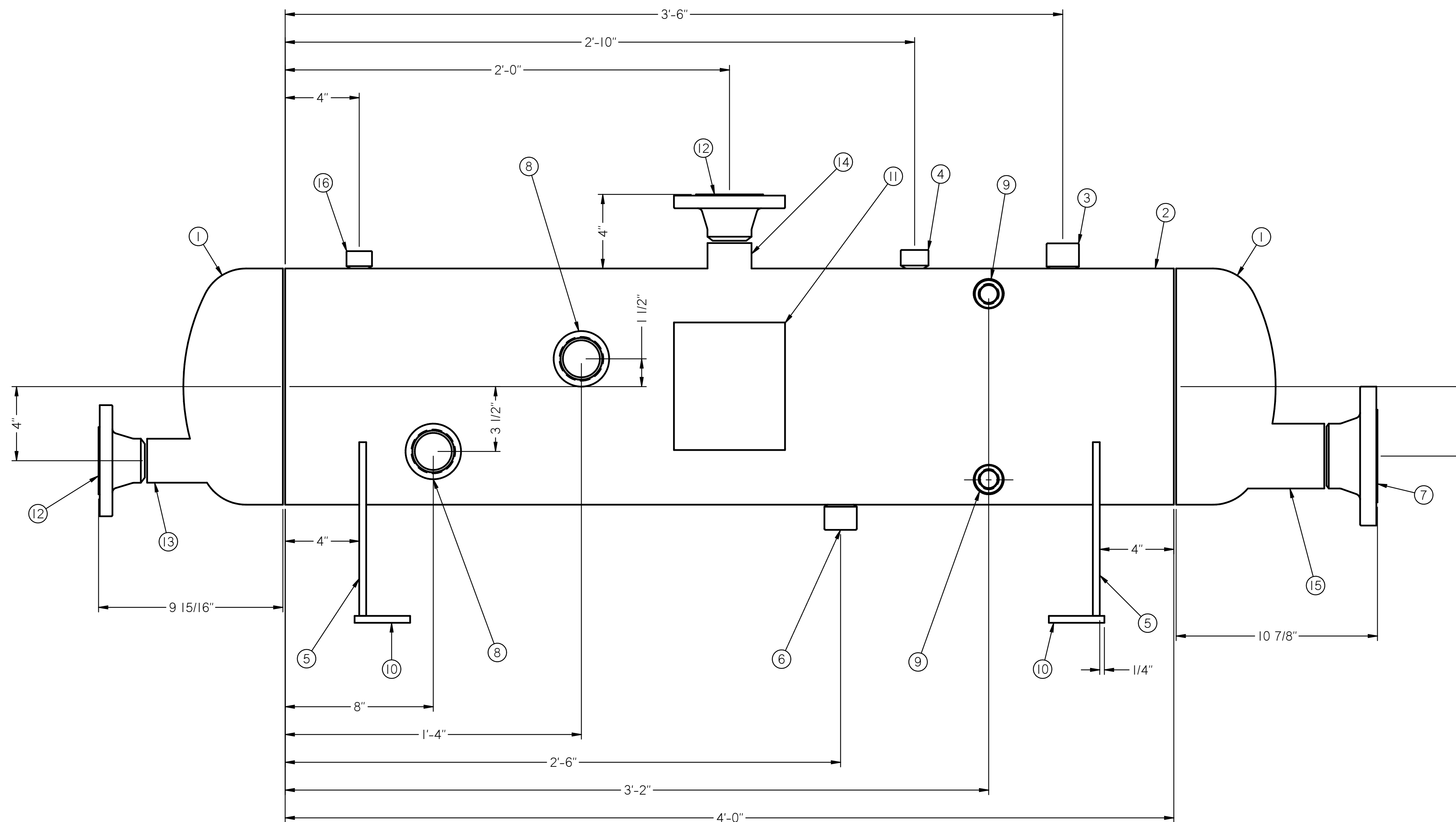



Item Number	Document Number	Title	Quantity	Cut Length	Specific Heat No.
1	EHD12-328CS	12 3/4" OD x .328" MIN THK 2:1 ELLIPTICAL HEAD	2		A21X
2		12 3/4" OD x .375 WALL PIPE 4'-0" LG	1	48.000 in	553X
3	CPM8-S6TH3K	1" 3000# MACH THD COUPLING	1		
4	CPM6-S4TH3K	3/4" 3000# MACH THD COUPLING	1		
5		3/8" THK VESSEL LEGS	2		
6	CPM8-S4TH3K	1" 3000# MACH THD COUPLING	1		
7	FLG24-15CSWNST	3" STD RFWN WELD NECK FLANGE	1		E181286
8	CPF16-CSTH3K	2" 3000# THREADED FULL COUPLING	2		
9	ELT4-300CS	1/2" 3000# BUTT WELD/THREADED ELBOLET	2		
10		FOOT PLATE	2		
11	NAMEPLATE BRKT	NAMEPLATE BRACKET	1		
12	FLG16-15S4WN16	2" S/160 RFWN WELD NECK FLANGE	2		274795
13	PIP16-16CSS	2" x Sch160 - SA106-B PIPE	1	5.000 in	552204
14	PIP16-16CSS	2" x Sch160 - SA106-B PIPE	1	2.500 in	552204
15	PIP24-STS4S	3" x STD SMLS. PIPE	1	5.500 in	552204
16	CPM4-S4TH3K	1/2" 3000# MACH THD COUPLING	1		
17*	SS-810-2-8	1/2" TUBE BY 1/2" MALE NPT ELBOW	1		




  
 TULSA, OK  
 ALABAMA, GA.  
 P.O. Box 471453  
 Tulsa, Oklahoma 74147

DATE: 2/4/19	SCALE:	DRAWN BY: DB	APPROV:	REVISION: 00
STANDARD 12 3/4" OD CONDENSATE VESSEL 316 SS 100 MBTUH BTEX CONDENSOR UNIT				
CUSTOMER:	DRAWING NUMBER: 1411 - STD COND VESSEL			

DATE	REVISION DESCRIPTION	BY